



Leadership through Persistency in Innovation



AOSD

OIL SPILL DETECTION RADAR HLD-AOSD 1000



Beijing Highlander Digital Technology Co.,Ltd.
Add:C1902, SPTower, Tsinghua Science Park, Haidian District Beijing, China
Tel:+86 10 82158018 Fax: +86 10 82150083
Website:www.highlander.com.cn Post code: 100084

All rights reserved. We reserved the rights to change the specifications without notice. Information are for reference only and does not constitute as contractual agreement.



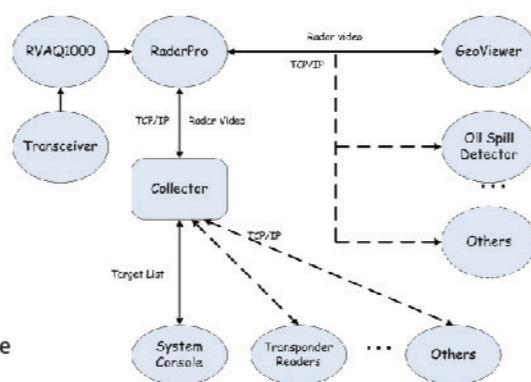
Beijing Highlander Digital Technology Co., Ltd.



Through signal processing on normal maritime radars, Automatic Oil Spill Detector is able to detect and track oil-spill and its drifting in real time. The system can be standalone system or integrated with onboard navigational radars. An Oil-Spill Detection network can be built with many single system linked via network.

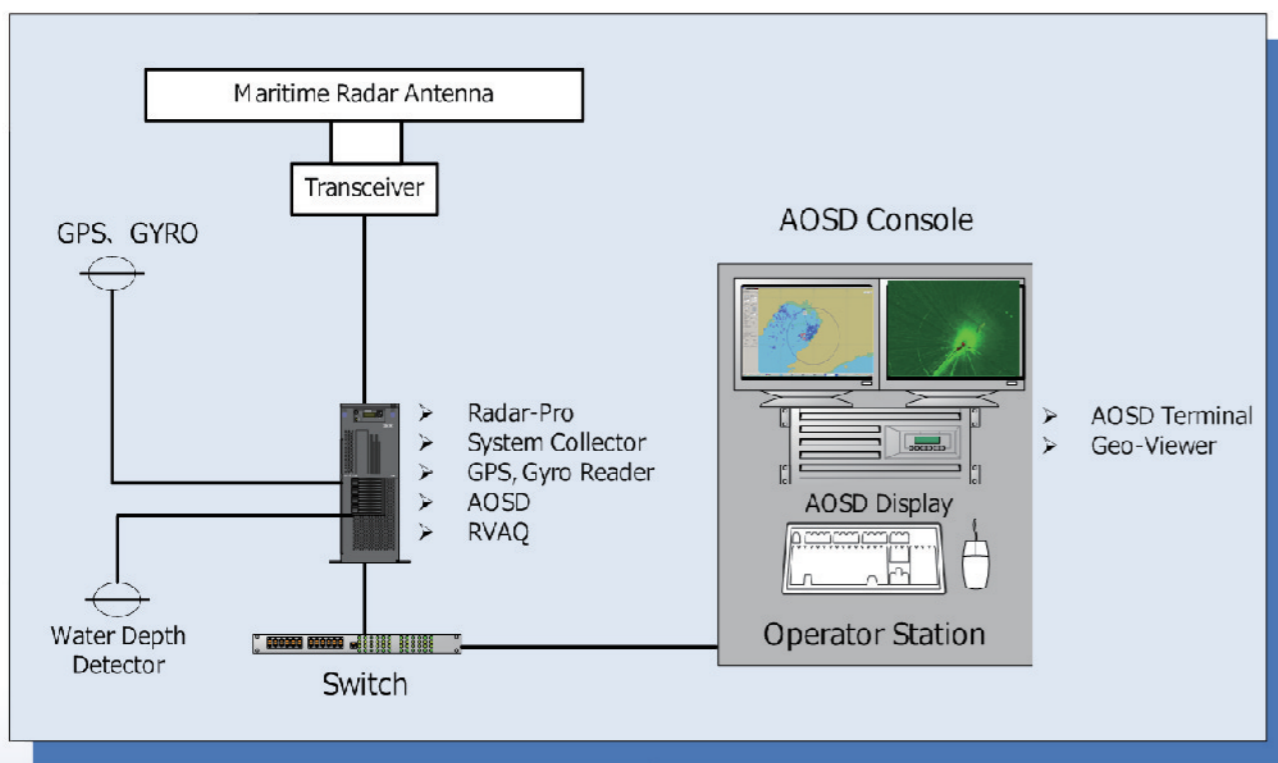
[Features]

- Receiver Raw Radar Video from RVAQ1000
- Process the Raw Radar Video and Extract Oil Spills
- Pass the processed data to the System Collector
- Generate several layers of warnings and pass them over to Collector
- Record processed data and generate OSD warnings
- Visualize the process of oil spill detection and configuration
- RVAQ1000 – Digitize the analog radar signals
- RadarPro – Process the radar signals and send to other system compone
- Oil Spill Detector – Process radar data and extract oil spills



Main Components of the system

[Configuration]

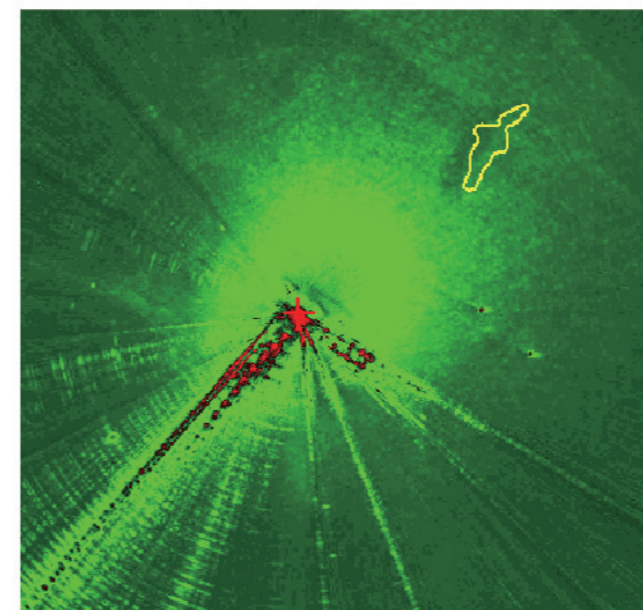


[Technical Specifications]

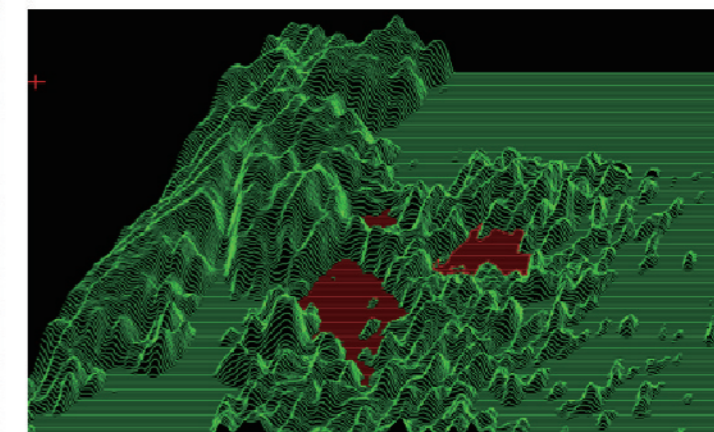
Maximum detection range	Related to antenna height,with antenna height at 20m,effective detection range is up to 4nm
Resolution	Related to pulse length of antenna height of 20m, short pulse at 50n/s,detection resolution is 15m
Wind Speed Condition	≥ 2.5m/s
Compensation of own vessel's movement	System automatically compensates own vessel's movement
Real Time Tracking of Oil Slick	System tracks changes of oil slick shape changes in real time
System Sensitivity	Tracks Oil Slick drift length up to 50m

[Presentation]

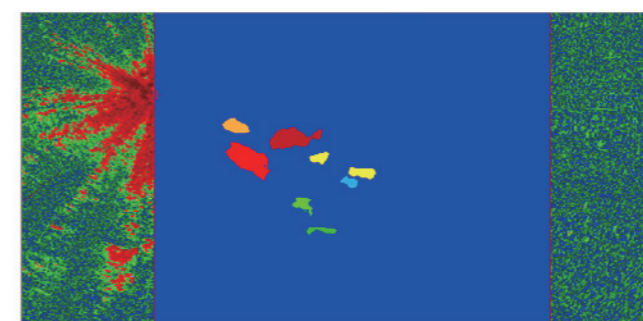
The AOSD is a fully automatic system. No manual operation is needed.



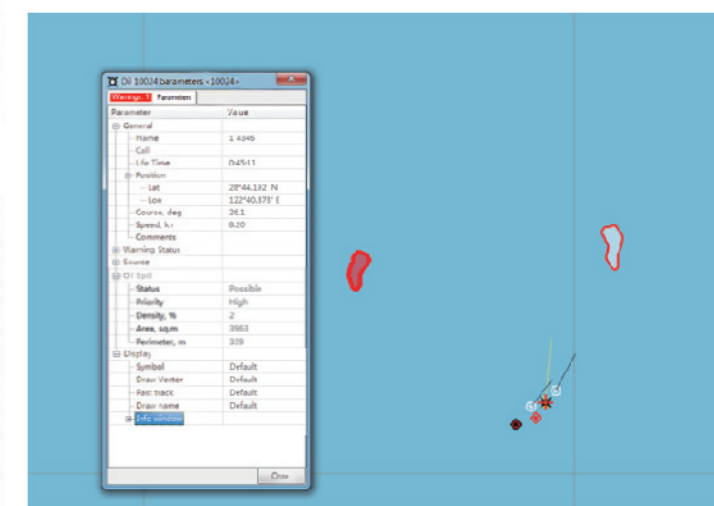
Raw Video – the Yellow Contour is Oil Spill



3D Presentation – Height presents echo level



Probability Presentation – Different colours present different probability of detected results



E-Chart Presentation – The absolute location of Oil Spill, along with relevant parameters of detected Oil Slicks